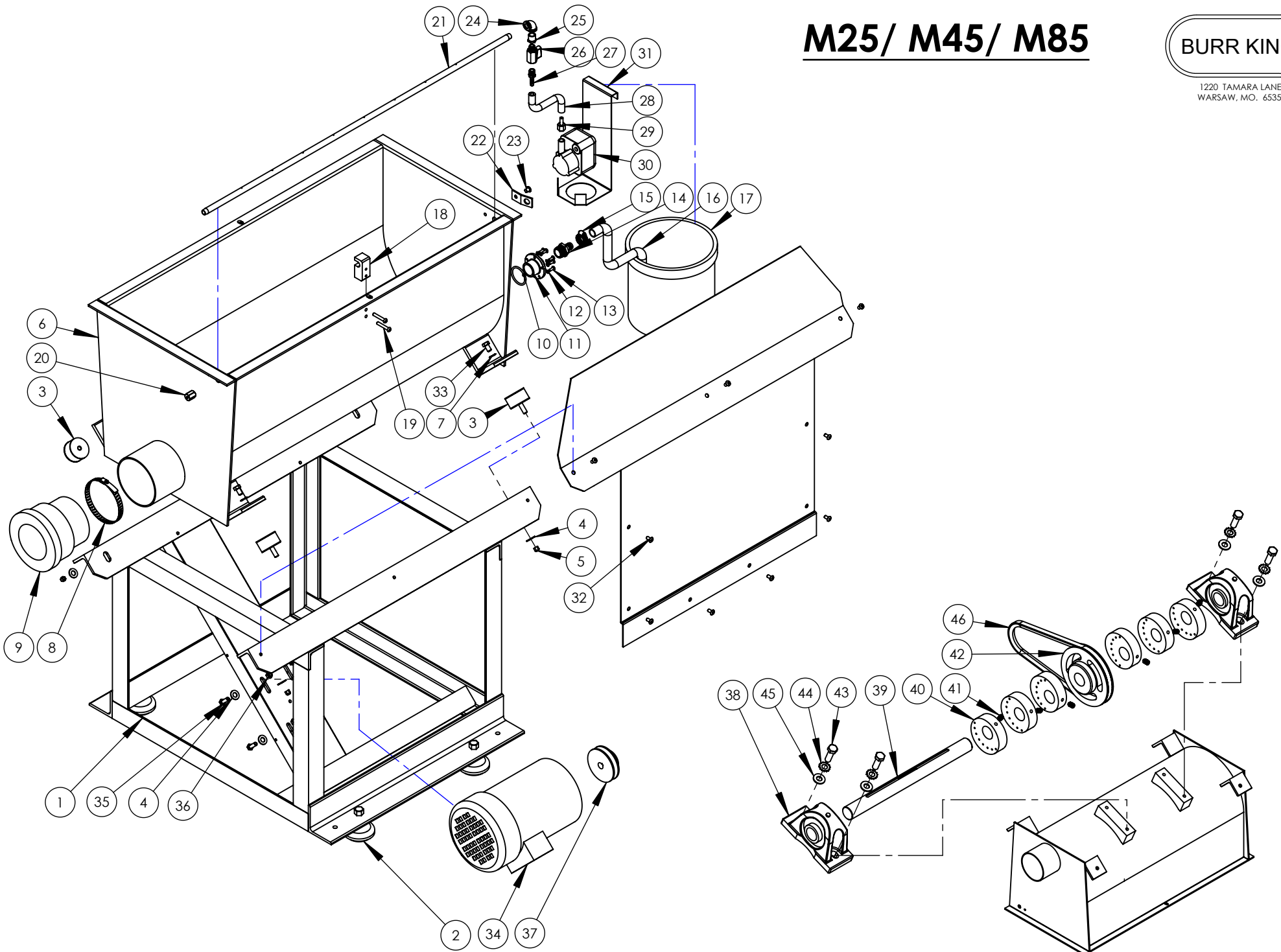


M25/ M45/ M85

BURR KING

1220 TAMARA LANE
WARSAW, MO. 65355



BOTTOM VIEW

M25			
ITEM NO.	PART NUMBER	DESCRIPTION	QTY.
1	3311-3	MAIN FRAME	1
2	3314	FOOT, MACHINE	4
3	3312	ISOLATOR 45 SHORE	4
4	5-0023	WASHER, 3/8 X 7/8, USS	8
5	4-0007	NUT, 3/8-16, ELASTIC LOCK GD 2	4
6	3300UCI-2	TUB, URETHANE	1
7	5-0014	WASHER, LOCK 3/8, INTERNAL STAR	4
8	3318	CLAMP, HOSE 3" TO 5" SCREW DRIVE	1
9	3307	PLUG, URETH. CHUTE SEAL	1
10	3598	O-RING	1
11	3599	PLUG, DRAIN, MEDUIM	1
12	15	WASHER, 5/16 LOCK, SPLIT	5
13	9	SCREW, 10-24x1/2 BH, BLK OXIDE	5
14	3404	FITTING, BARBED, 3/4 NPT, NYLON	1
15	3406	CLAMP	1
16	3409	HOSE 5/8 ID	1
17	3317	PAIL, 5 GALLON	1
18		ONLY USED ON M45 & M85	
19		ONLY USED ON M45 & M85	
20	3344	FITTING, CAP - 1/4NPT, FEMALE	1
21	3330	PIPE	1
22	3320	CLIP, RETAINER	1
23	2-0015	SCREW, 5/16-24 x 3/8 BH, BLK OX	1

M25			
ITEM NO.	PART NUMBER	DESCRIPTION	QTY.
24	3338	ELBOW, 1/4 NPT, GALV	1
25		ONLY USED ON THE M 85	
26	3337	VALVE, BALL, 1/4 NPT	1
27	3339	FITTING, BARBED HOSE, 1/4 NPT	1
28	3336	HOSE, 1/4	1
29	3340	BARB	1
30	3316-3	PUMP	1
31	3331	BRACKET, PUMP	1
32	2-0014	SCREW, 1/4-20x1/2 BH, BLK OX	18
33	1-0009	BOLT, 3/8-16 x 3/4, HEX	4
34	MOTOR	CALL FACTORY FOR MOTOR	1
35	1-0015	BOLT, 5/16-18x1 1/2 HEX HEAD	4
36	4-0014	NUT, 5/16-18, ELASTIC GD 8	4
37	3308	PULLEY 3.35 DIA	1
38	3310	BEARING, PILLOW BLOCK	2
39	3303	SHAFT, DRIVE	1
40	3305	WEIEGHT, THROW	4
41	3-0001	SCREW, 3/8-16 x 1/2 SET	4
42	3306	PULLEY 5.75	1
43	1-0008	BOLT, 1/2-13 x 1 1/2 HEX HEAD	4
44	5-0007	WASHER, 1/2 LOCK EXT.	4
45	21	WASHER, 1/2 ID	4
46	3309-2	BELT, V	1

USE FOR DRY OPERATIONS.
3379 PLUG 3/4 PUC 1

M45			
ITEM NO.	PART NUMBER	DESCRIPTION	QTY.
1	3311	MAIN FRAME	1
2	3314	FOOT, MACHINE	4
3	3312	ISOLATOR, 45 SHORE	4
4	5-0023	WASHER, 3/8 X 7/8, USS	8
5	4-0007	NUT, 3/8-16, ELASTIC LOCK GD 2	4
6	3300UCI-5	TUB, URETHANE	1
7	5-0014	WASHER, LOCK 3/8, INTERNAL STAR	4
8	3318	CLAMP, HOSE 3" TO 5" SCREW DRIVE	1
9	3307	PLUG, URETHANE CHUTE SEAL	1
10	3598	O-RING	1
11	3599	PLUG DRAIN, MEDIUM	1
12	15	WASHER, 5/16 LOCK, SPLIT	5
13	9	SCREW, 10-24x1/2 BH, BLK OXIDE	5
14	3404	FITTING, BARBED, 3/4 NPT, NYLON	1
15	3406	CLAMP, HOSE	1
16	3409	HOSE 5/8 ID	1
17	3317	PAIL, 5 GAL	1
18	3347	BRACE, TUBE	1
19	31-1	SCREW, 1/4-20 x 1 1/2 FH SOC	2
20	3344	FITTING, CAP - 1/4NPT, FEMALE	1
21	3315	PIPE	1
22	3320	CLIP, RETAINER	1
23	2-0015	SCREW, 5/16-24 x 3/8 BH, BLK OX	1

M45			
ITEM NO.	PART NUMBER	DESCRIPTION	QTY.
24	3338	ELBOW, 1/4 NPT, GALV	1
25		ONLY USED ON THE M 85	
26	3337	VALVE, BALL, 1/4 NPT	1
27	3339	FITTING, BARBED HOSE, 1/4 NPT	1
28	3336	HOSE, 1/4"	1
29	3340	BARB 1/4" x 1/4"	1
30	3316	PUMP, WATER	1
31	3331	BRACKET, PUMP	1
32	2-0014	SCREW, 1/4-24 x 1/2 BH, BLK OX	18
33	1-0009	BOLT, 3/8-16 x 3/4, HEX	4
34	MOTOR	CALL FACTORY FOR MOTOR	1
35	1-0015	BOLT, 5/16-18x1 1/2 HEX HEAD	4
36	4-0014	NUT, 5/16-18, ELASTIC GD 8	4
37	3308	PULLEY 3.35 DIA	1
38	3310	BEARING, PILLOW BLOCK	2
39	3303	SHAFT, DRIVE	1
40	3305	WEIGHT, THROW	6
41	3-0001	SCREW, 3/8-16 x 1/2 SET	6
42	3306	PULLEY 5.75	1
43	1-0008	BOLT, 1/2-13 x 1 1/2 HEX HEAD	4
44	5-0007	WASHER, 1/2 LOCK EXT.	4
45	21	WASHER, 1/2 ID	4
46	3309-2	BELT, V	1

USE FOR DRY OPERATIONS
3379 PLUG 3/4 PUC 1

M85			
ITEM NO.	PART NUMBER	DESCRIPTION	QTY.
1	3311-2	MAIN FRAME	1
2	3314	FOOT, MACHINE	6
3	3312	ISOLATOR 45 SHORE	8
4	5-0023	WASHER, 3/8 X 7/8, USS	12
5	4-0007	NUT, 3/8-16, ELASTIC LOCK GD 2	8
6	3300UCI-3	TUB, URETHANE	1
7	5-0014	WASHER, LOCK 3/8, INTERNAL STAR	8
8	3318	CLAMP, HOSE 3" TO 5" SCREW DRIVE	1
9	3307	PLUG, URETH. CHUTE SEAL	1
10	3598	O-RING	1
11	3599	PLUG, DRAIN, MEDIUM	1
12	15	WASHER, 5/16 LOCK, SPLIT	5
13	9	SCREW, 10-24x1/2 BH, BLK OXIDE	5
14	3404	FITTING, BARBED, 3/4 NPT, NYLON	1
15	3406	CLAMP	1
16	3409	HOSE, 5/8	2
17	3317	PAIL, 5 GALLON	1
18	3348	BRACE, TUBE	1
19	31-1	1/4-20 x 1 1/2 FH SOC	2
20	3344-1	FITTING, CAP - 1/4NPT, FEMALE	1
21	3349	PIPE, 3/8 GALV.	1
22	3320-1	CLIP, RETAINER	1
23	2-0015	SCREW, 5/16-24x3/8 BH, BLK OX	1

M85			
ITEM NO.	PART NUMBER	DESCRIPTION	QTY.
24	3338	ELBOW, 1/4 NPT, GALV	1
25	3378	BUSHING, 3/8x1/4 GALV.	1
26	3337	VALVE, BALL, 1/4 NPT	1
27	3339	FITTING, BARBED HOSE, 1/4 NPT	1
28	3336	HOSE, 1/4	1
29	3340	BARB	1
30	3316-3	PUMP	1
31	3331	BRACKET, PUMP	1
32	2-0014	SCREW, 1/4-20x1/2 BH, BLK OX	18
33	1-0005	BOLT, 3/8-16 x 3/4, HEX	4
34	MOTOR	CALL FACTORY OF MOTOR	1
35	1-0015	BOLT, 5/16-18x1 1/2 HEX HEAD	4
36	4-0014	NUT, 3/8-16, ELASTIC LOCK GD 2	4
37	3343	PULLEY 3.35 DIA	1
38	3310	BEARING, PILLOW BLOCK	4
39	3303-1	SHAFT, DRIVE	1
40	3305-1	WEIGHT, THROW	6
41	3-0001	SCREW, 3/8-16x1/2 SET	6
42	3342	PULLEY, 5.75 DIA	1
43	1-0008	BOLT, 1/2-13x1 1/2 HEX HEAD	8
44	5-0007	WASHER, 1/2 LOCK EXT	8
45	21	WASHER, 1/2 ID	8
46	3309-3	BELT, V	1

USE FOR DRY OPERATIONS.
3379 PLUG 3/4 PUC 1